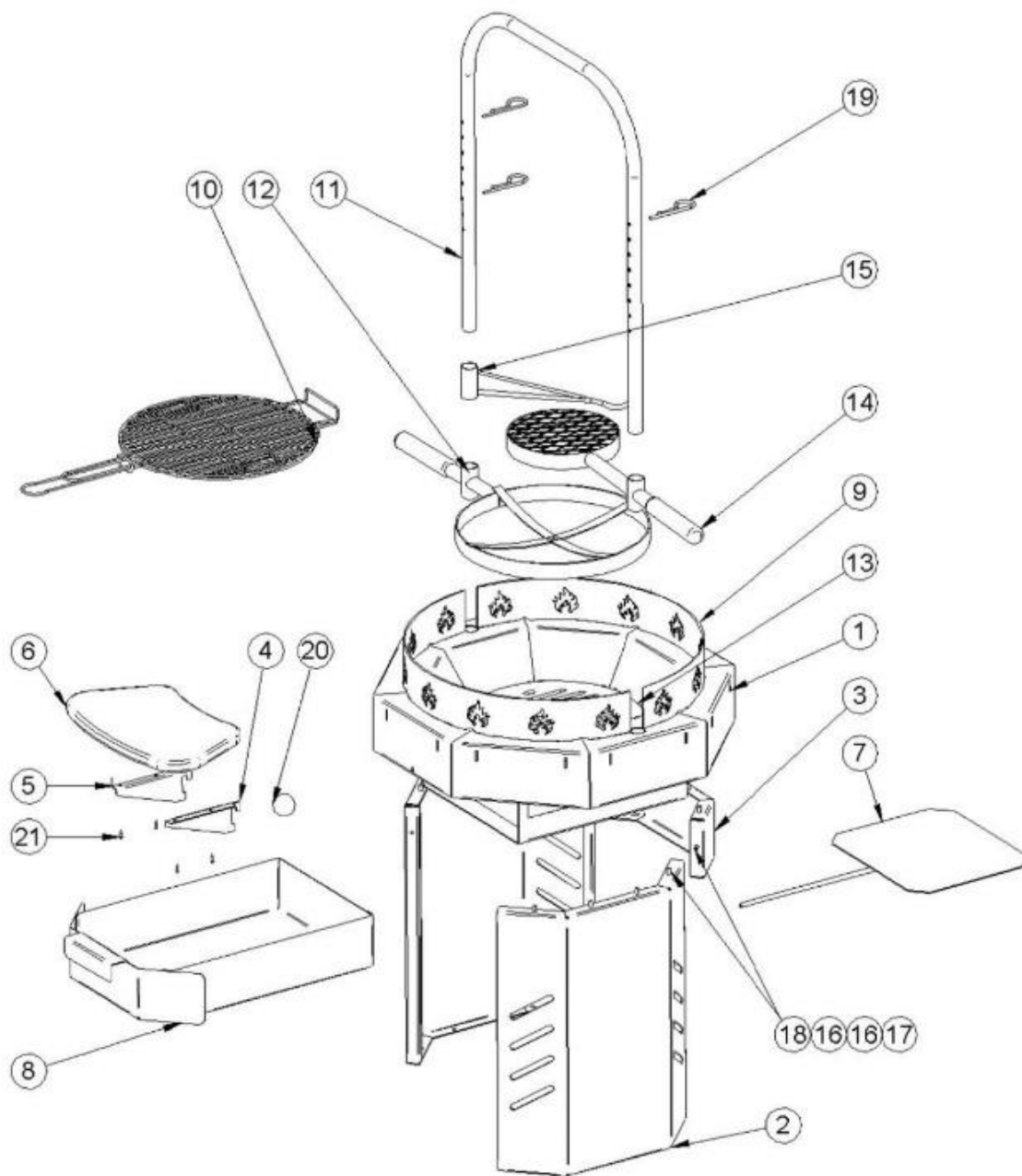


## ASSEMBLY INSTRUCTIONS FOR Flame BBQ

**Attention!** Please follow the assembly drawings and these instructions.

1. Remove the damper knob by turning it counter clockwise. Remove the ashtray (8) and the damper (7) from the grill body.
2. Attach grill legs (2) to the body (1) with four sets of nuts (17), bolts (18), and washers (16). Do not fully tighten the nuts, allowing for adjustment of the legs' position when the back is attached.
3. Attach the back piece (3) to the body (1) and legs (2) with six sets of nuts, bolts, and washers. Adjust the legs and back for a good fit, then tighten all the nuts.
4. Insert the damper completely into the grill body. Lift the damper onto the support edges and pull it forward so that it rests on them. Insert the damper handle through the hole in the front of the grill body. Attach the damper knob.
5. Insert the ashtray (8) into the grill body.
6. Place the two fire guards (9) on the grill body so that they fit into the corresponding openings. Turn the fire guards slightly counter clockwise to secure them in place.
7. Place the cast iron grate (13) in the centre of the grill.
8. Fit the hook (15), the small hob (14), and the large hob (12) onto the stainless steel bracket (11) and secure them with fixing pins (19). Insert the hanger into the two holes on the main part of the grill.
9. Attach two brackets (4 and 5) to each wooden table with wood screws (21). Note that there are different types of supports for the left and right sides of each table (see drawing). The screw holes are pre-drilled for easier installation and a better fit. Ensure that the brackets fit the openings in the grill body before tightening the screws.
10. Attach the grill to the base through the holes in the grill's legs using suitable screws or anchors (not included).



## **Assembly Instructions for the Chimney**

1. Place the chimney collar (3) around the chimney pipe (2) and press it into place.
2. Insert the pipe with the collar into the chimney opening so that it rests securely on the collar.
3. Place the chimney cap (4) on the chimney and secure it with a wing nut and wing bolt.
4. Attach three thumbscrews to the holes on the sides of the smoke sensor, ensuring a washer and nut secure it to the receiver from both the inside and the outside. Also, insert three self-tapping screws into the roof of the cabin about 1 meter from the desired position for the smoke sensor. Hang a 1.5-meter chain on each hook.
5. Attach the second chimney pipe (1) to the smoke sensor.
6. Lift the smoke sensor with the lower chimney pipe into the upper pipe and attach the chains to the receiving hooks.
7. Adjust the height of the sensor with the chains.

