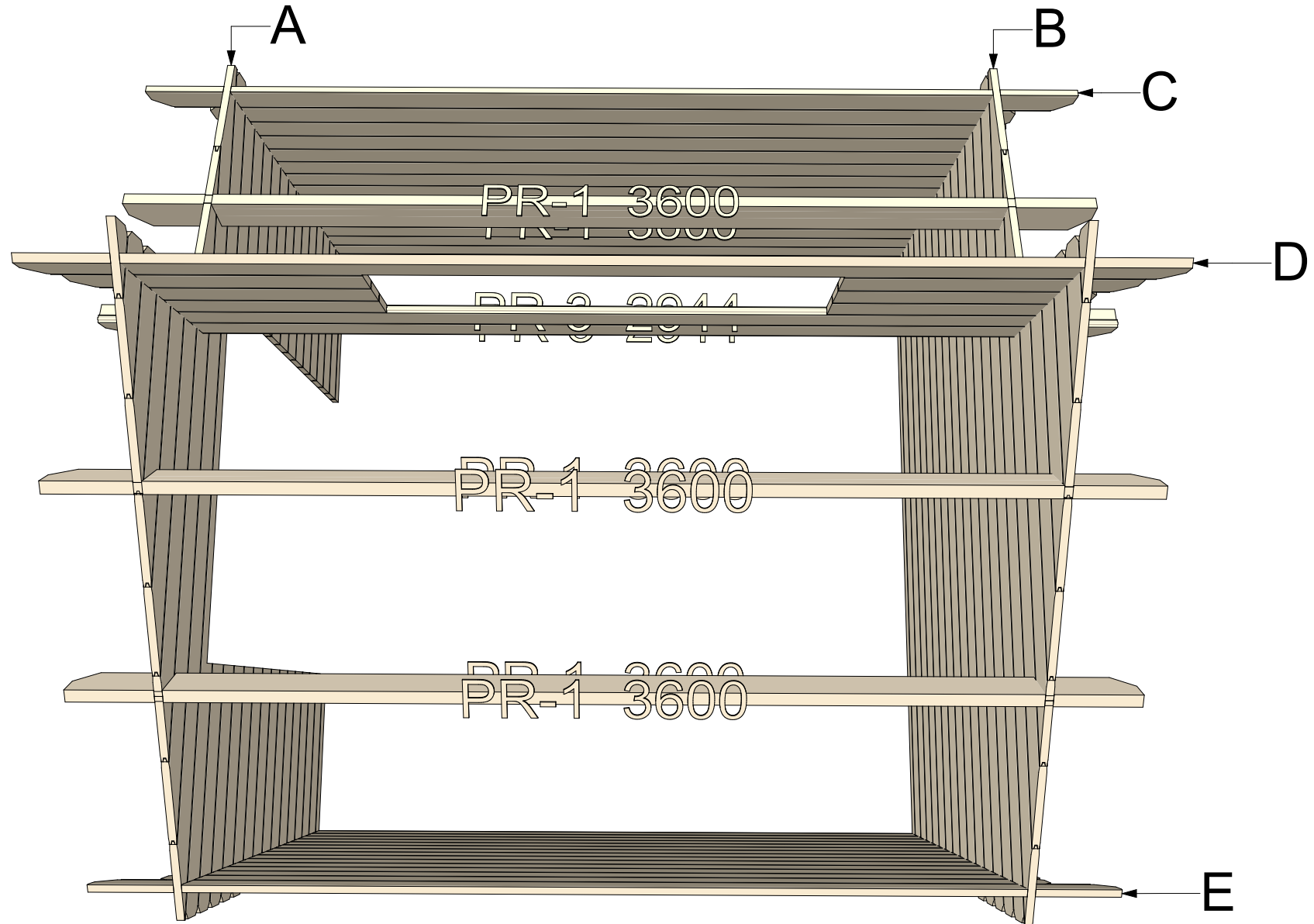




28 Osaka 3,2x3,2

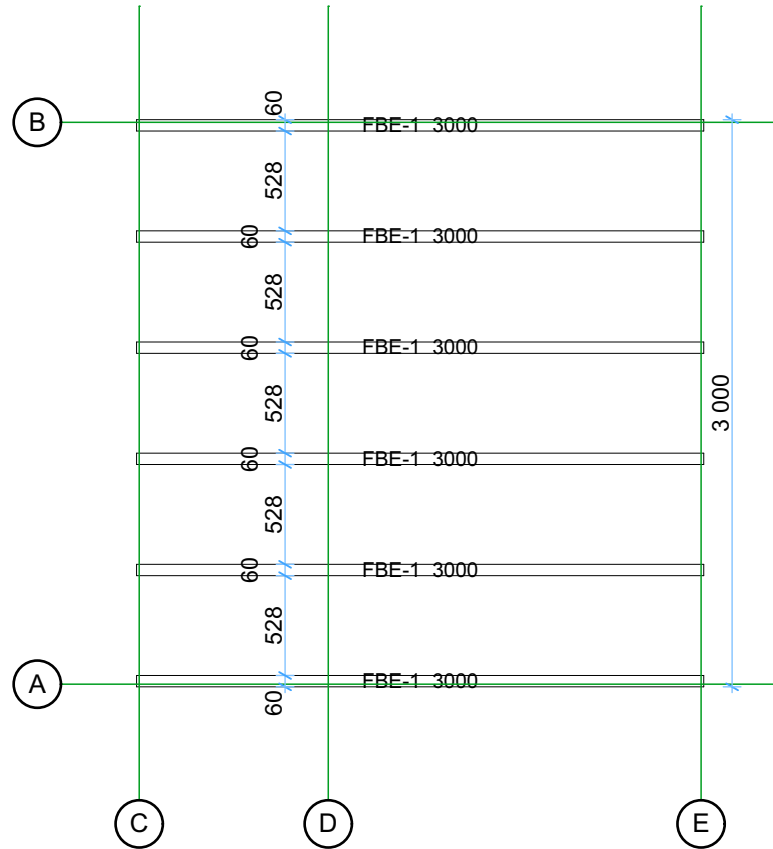
Walls and purlins positions



Thickness:	Project name:	Project ID:	Year:	Page:
28	Osaka	3,2x3,2	2022	2

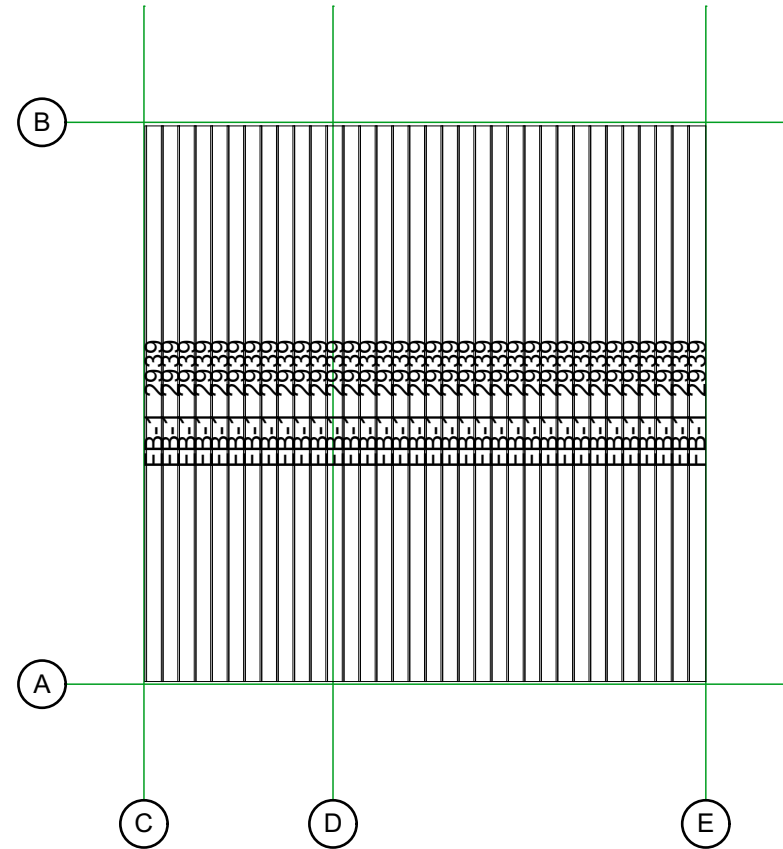
Floor bearers

1:40



Floor boards

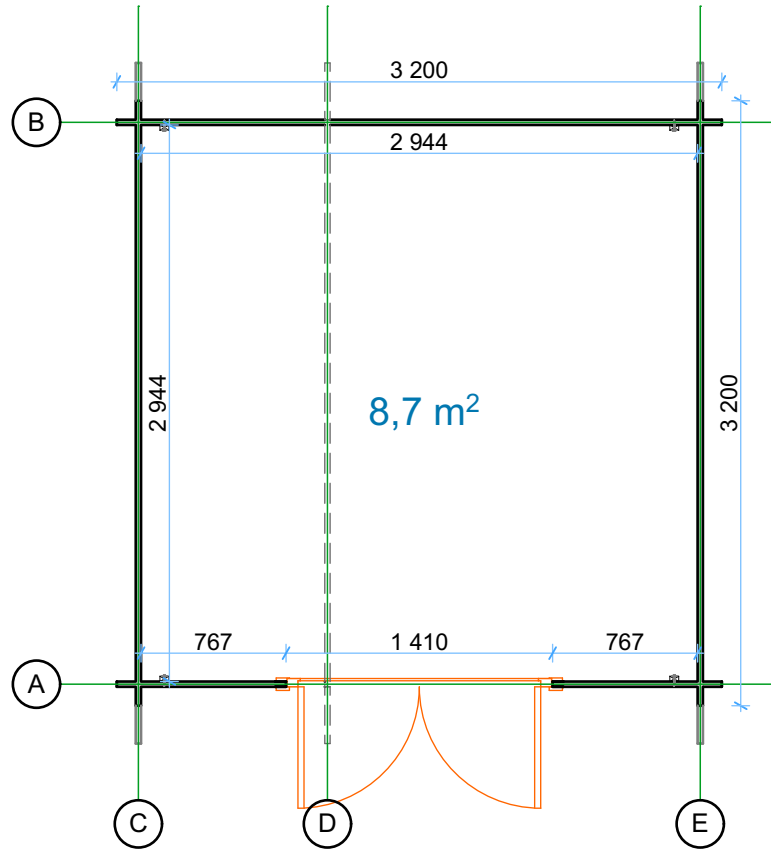
1:40



Thickness:	Project name:	Project ID:	Year:	Page:
28	Osaka	3,2x3,2	2022	3

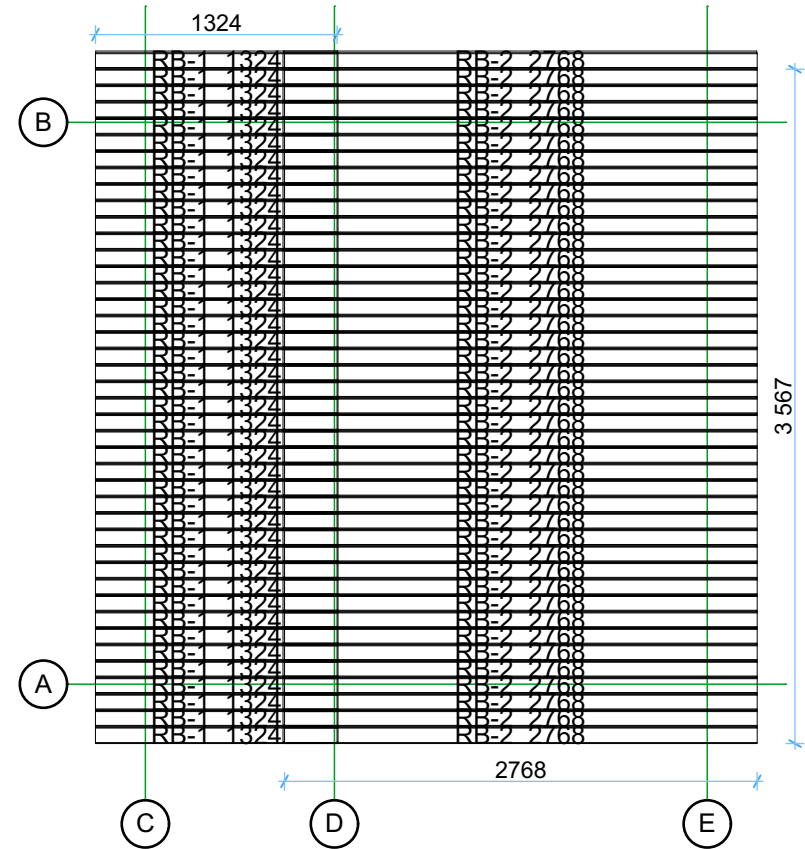
Ground floor plan

1:40



Roof boards

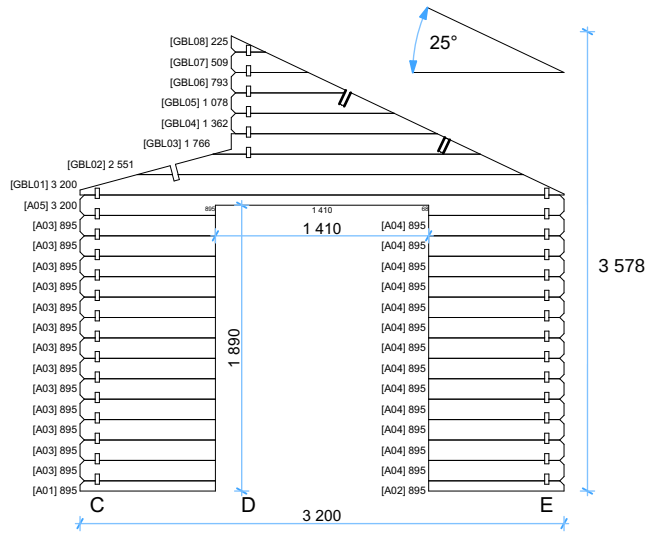
1:40



Thickness:	Project name:	Project ID:	Year:	Page:
28	Osaka	3,2x3,2	2022	4

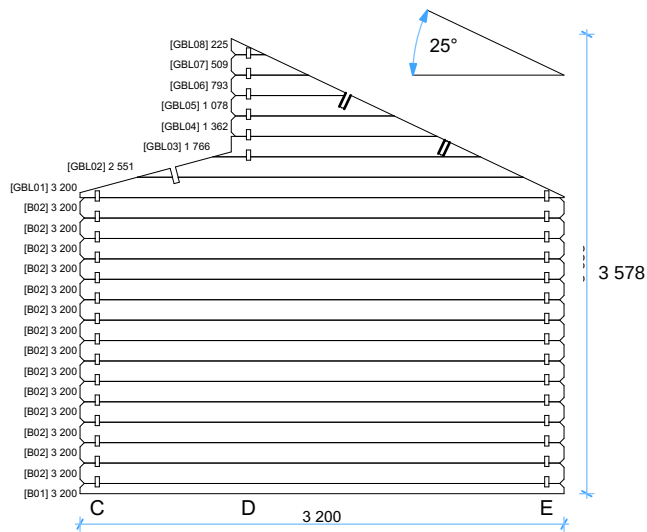
Wall A

1:50



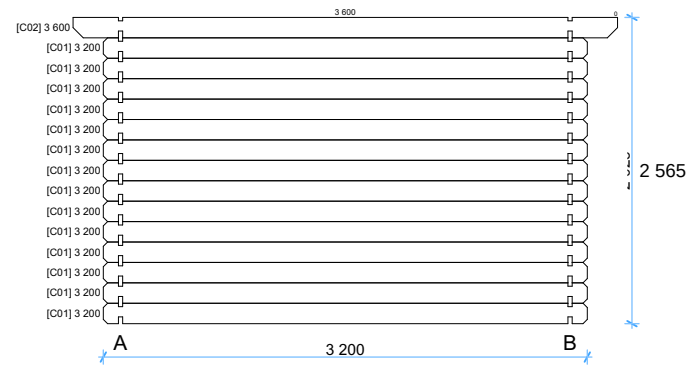
Wall B

1:50



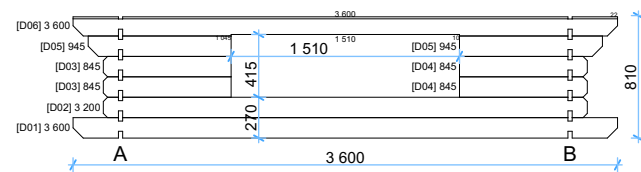
Wall C

1:50



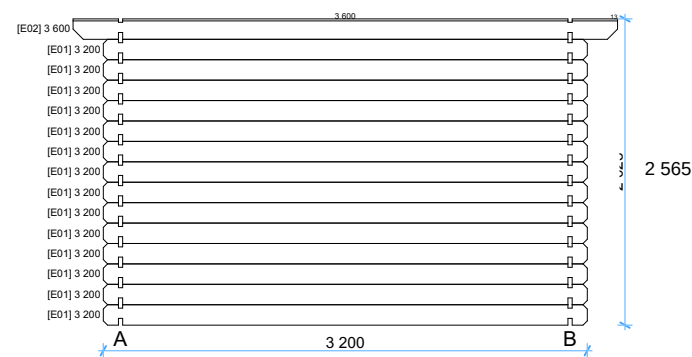
Wall D

1:50

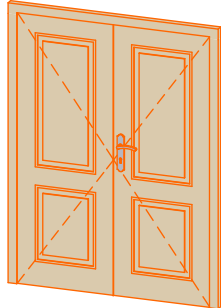
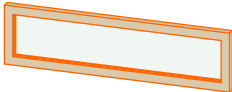


Wall E

1:50



Thickness:	Project name:	Project ID:	Year:	Page:
28	Osaka	3,2x3,2	2022	5

Windows and doors list							
Barcode	Type-quality	Wall Thickness	W x H Size	Orientation	Glazing	Quantity	3D Axonometry
185140-1	Door - Economy	28	1 400×1 850	R	Full wood	1	
S39150	Window - Economy	28	1 500×390		Single glazed	1	

Thickness:	Project name:	Project ID:	Year:	Page:
28	Osaka	3,2x3,2	2022	6