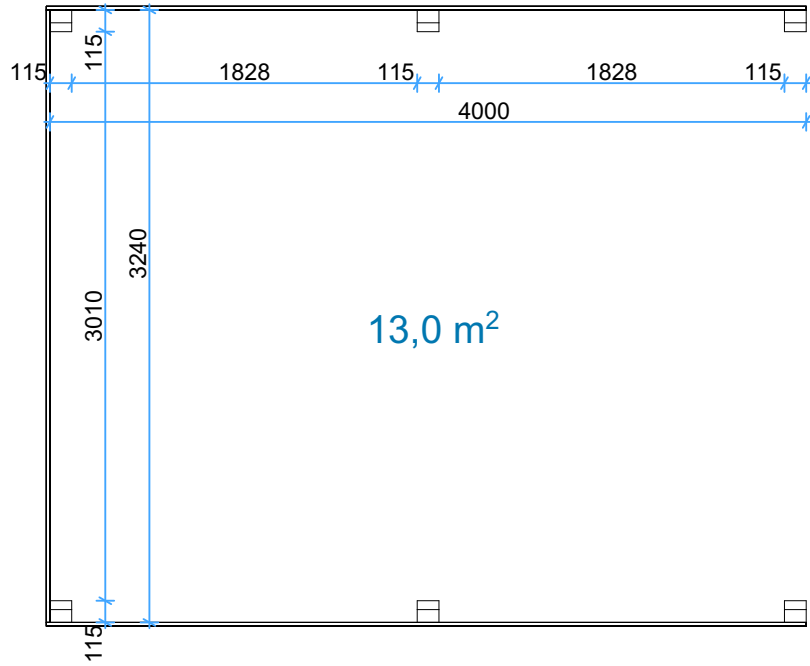




Carport-Fugi

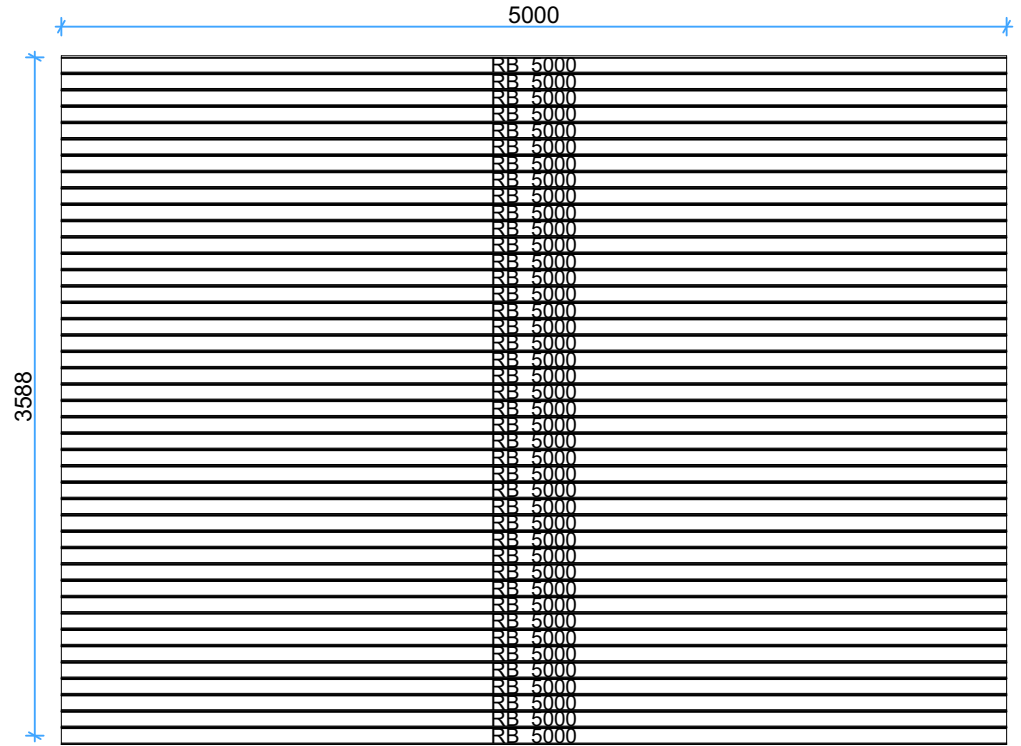
Ground Floor plan

1:40



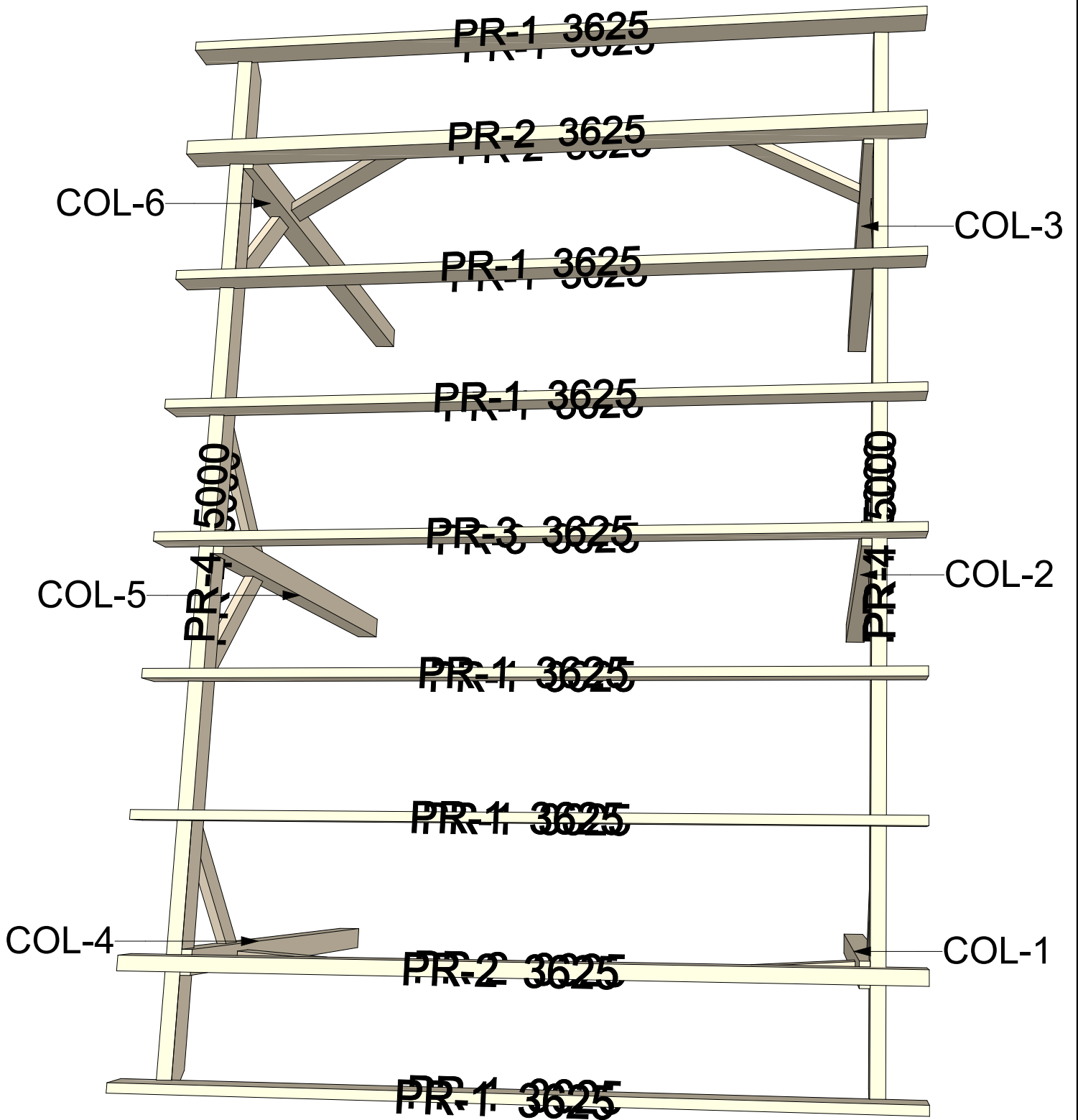
Roof boards

1:40



| | | | | |
|------------|---------------|-------------|-------|-------|
| Thickness: | Project name: | Project ID: | Year: | Page: |
| | Carport-Fugi | | 2024 | 2 |

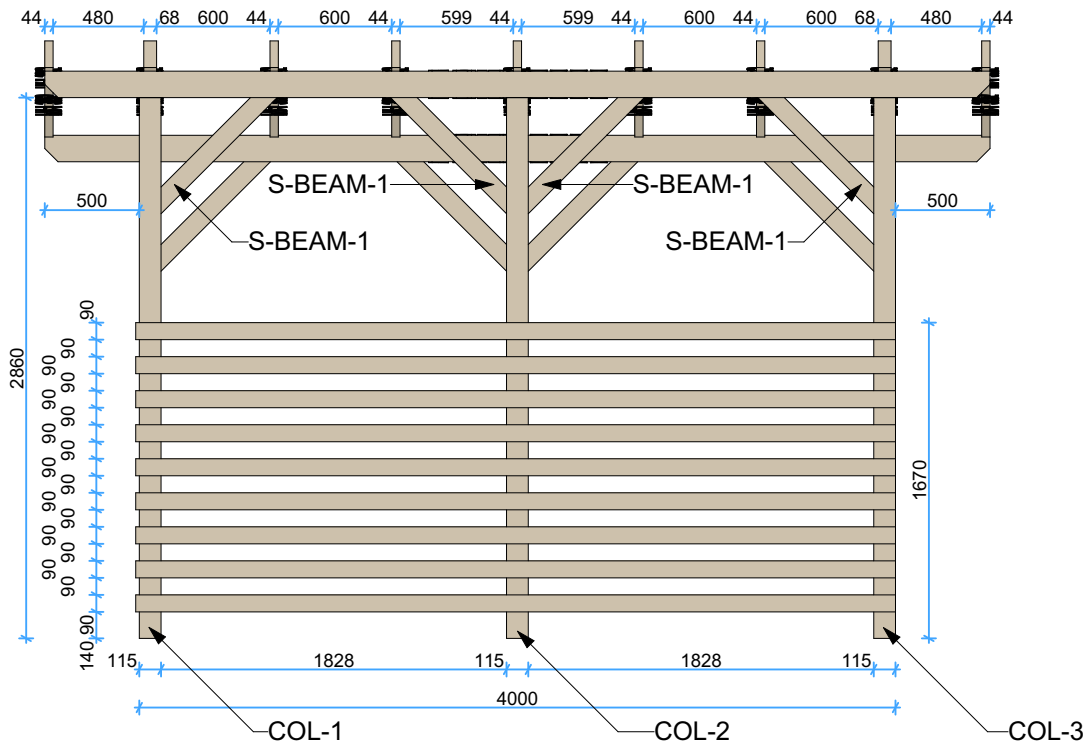
Purlins positions



| Thickness: | Project name: | Project ID: | Year: | Page: |
|------------|---------------|-------------|-------|-------|
| | Carport-Fugi | | 2024 | 3 |

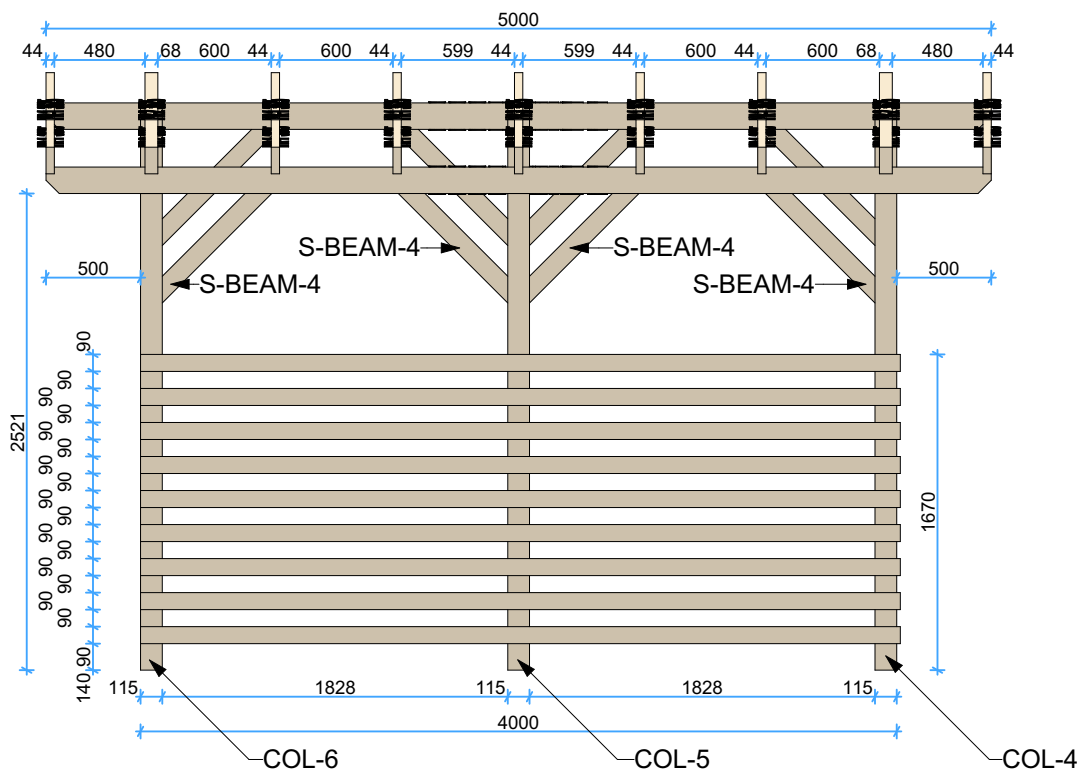
Front Elevation

1:40



Back Elevation

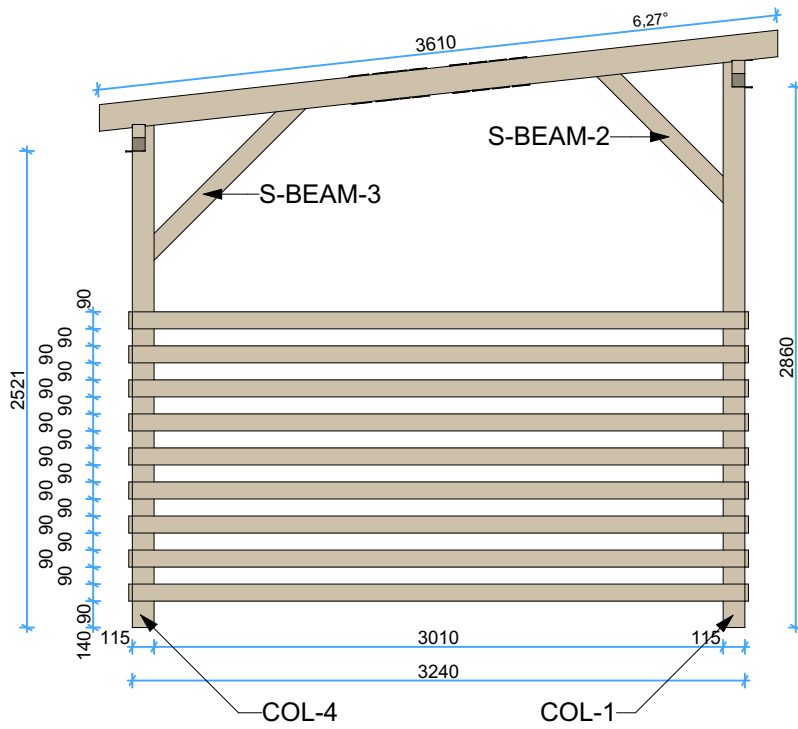
1:40



| | | | | |
|------------|---------------|-------------|-------|-------|
| Thickness: | Project name: | Project ID: | Year: | Page: |
| | Carport-Fugi | | 2024 | 4 |

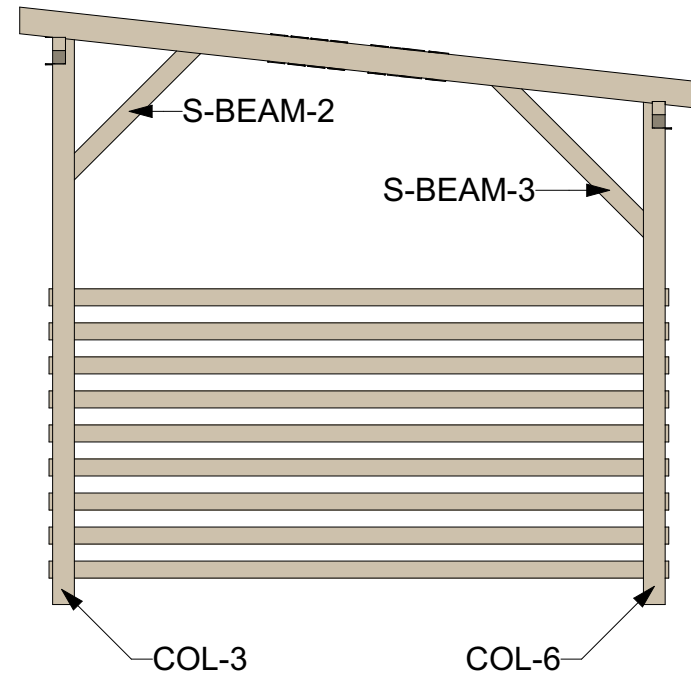
Left Elevation

1:40



Right Elevation

1:40



| | | | | |
|------------|---------------|-------------|-------|-------|
| Thickness: | Project name: | Project ID: | Year: | Page: |
| | Carport-Fugi | | 2024 | 5 |