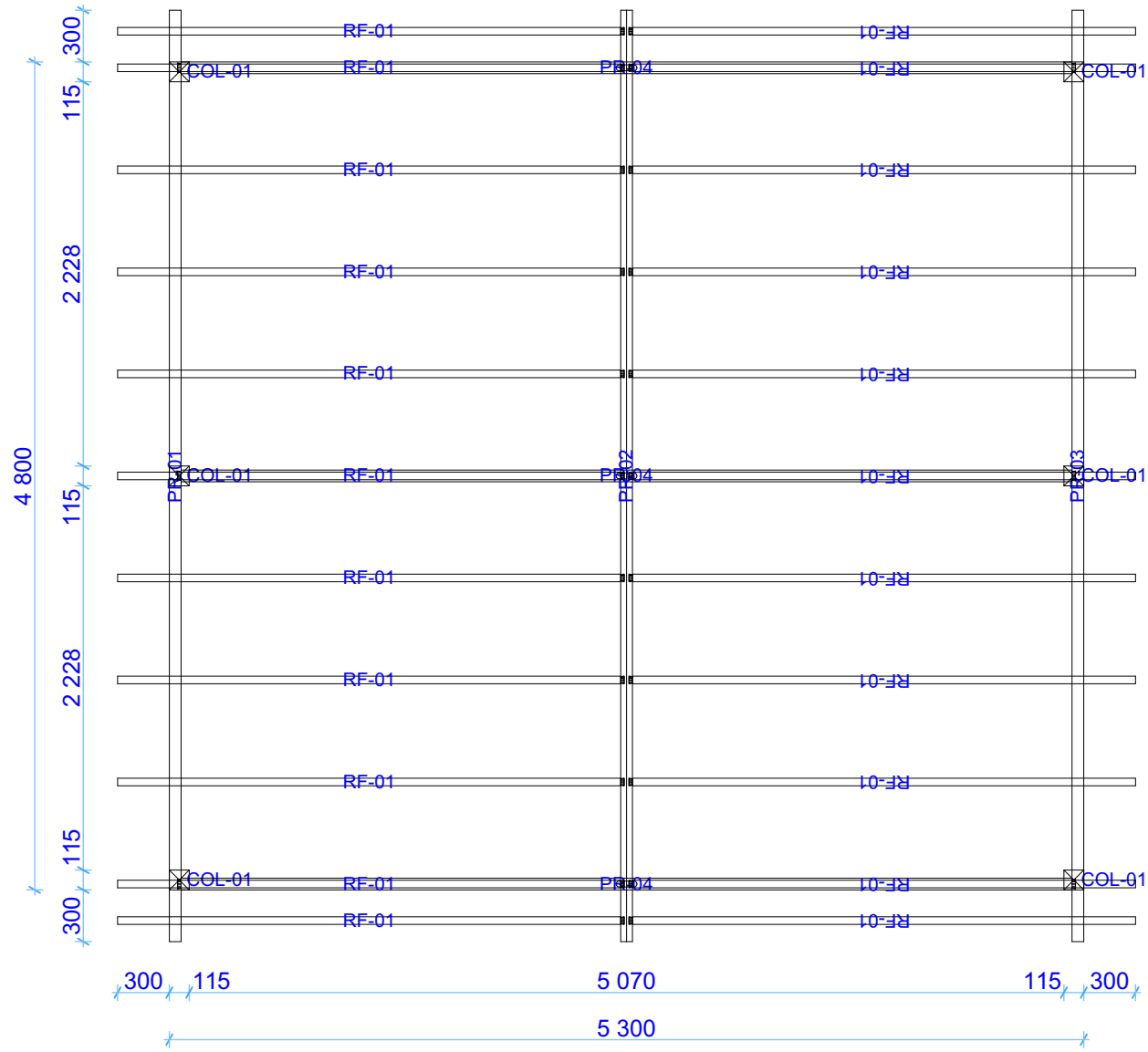




Carport-Pablo S29356

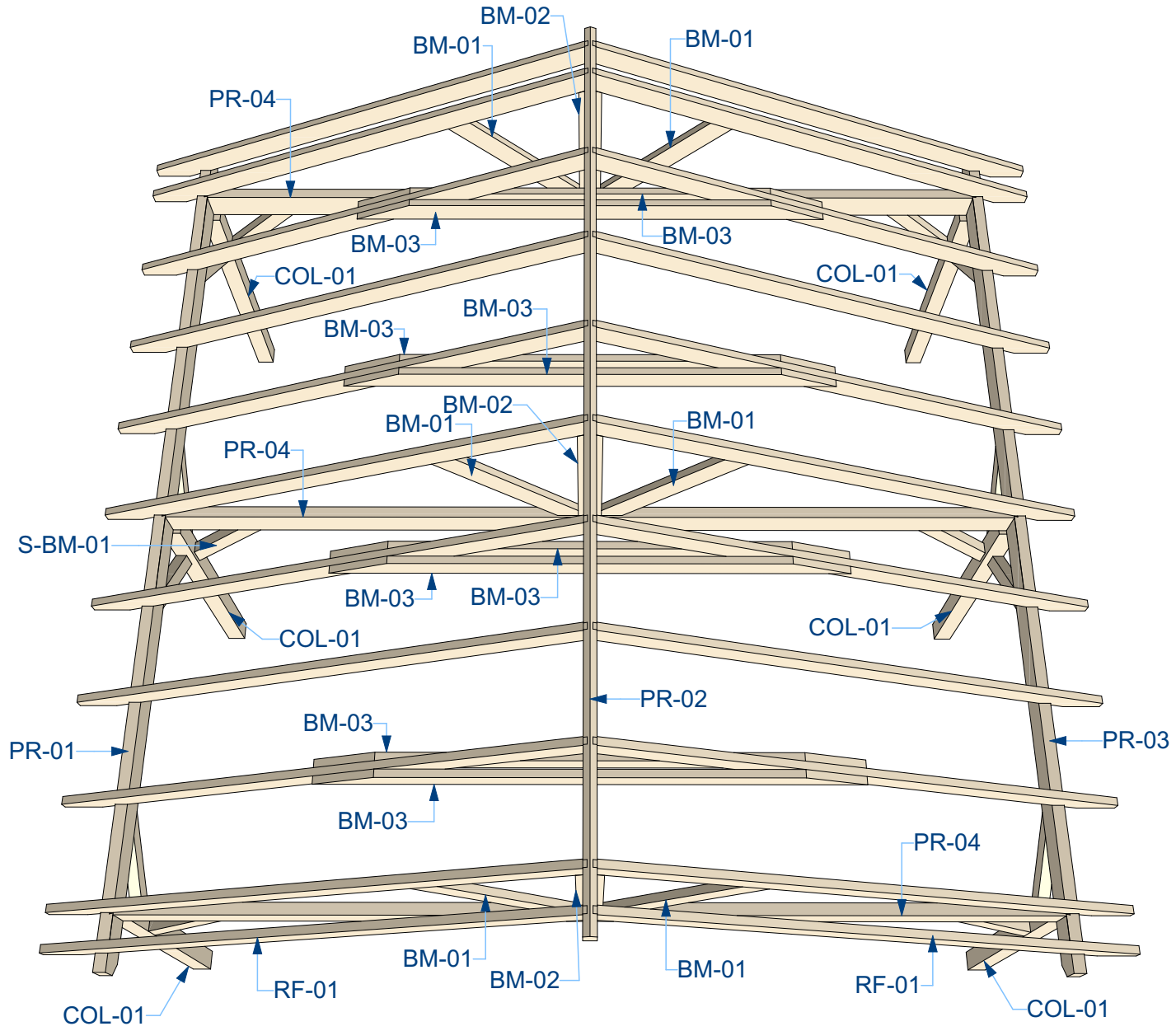
Ground floor plan

1:40



Thickness	Project name	Project ID	Date	Page
	Carport-Pablo	S29356	2025-10	2

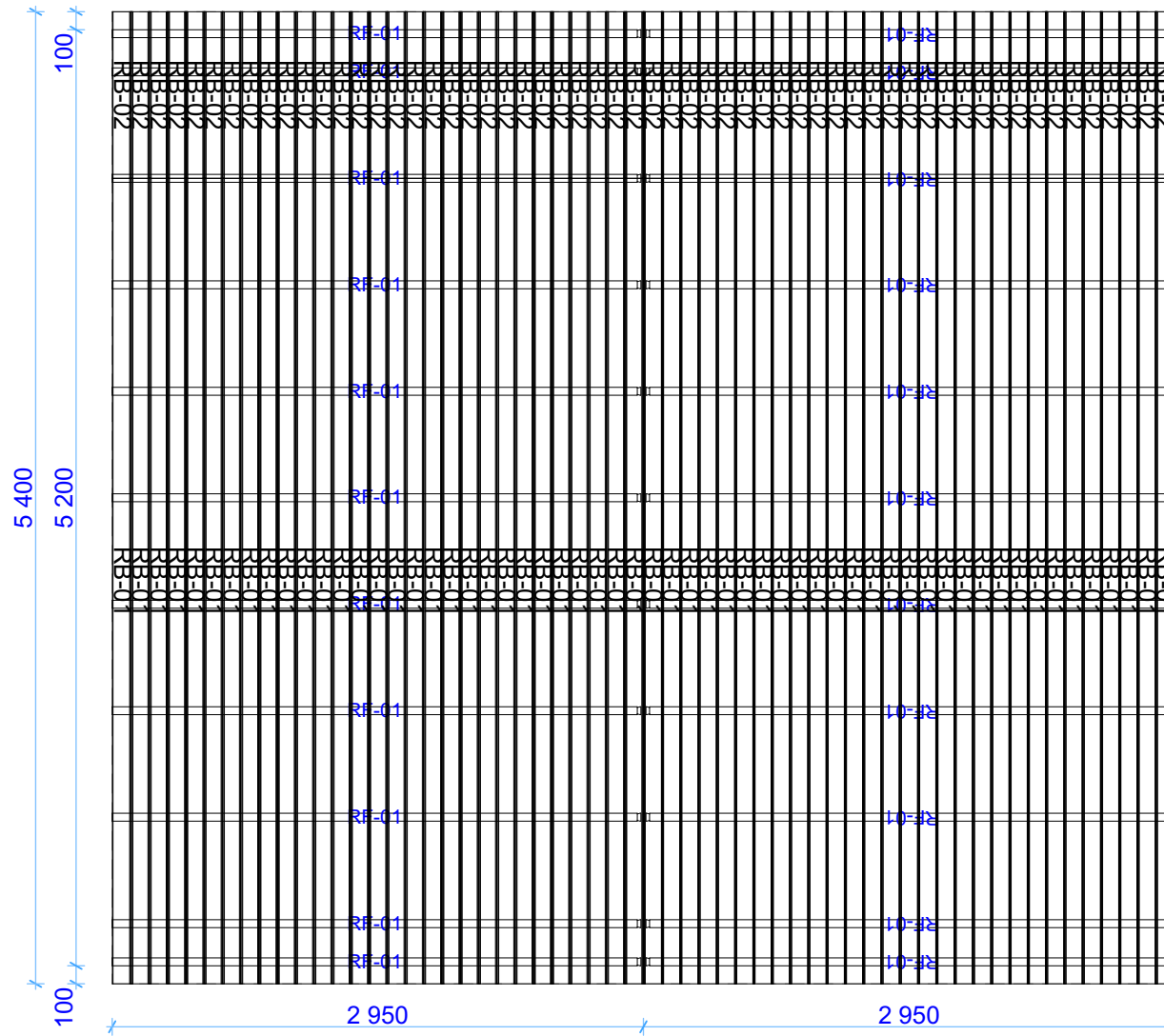
Beams positions



Thickness	Project name	Project ID	Date	Page
	Carport-Pablo	S29356	2025-10	3

Roof board plan

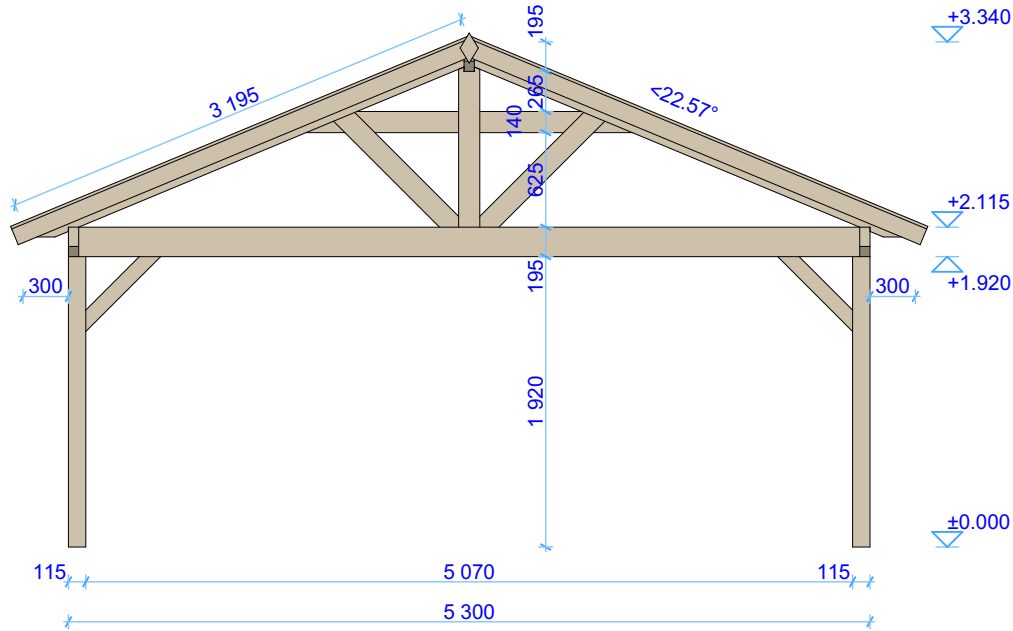
1:40



Thickness	Project name	Project ID	Date	Page
	Carport-Pablo	S29356	2025-10	4

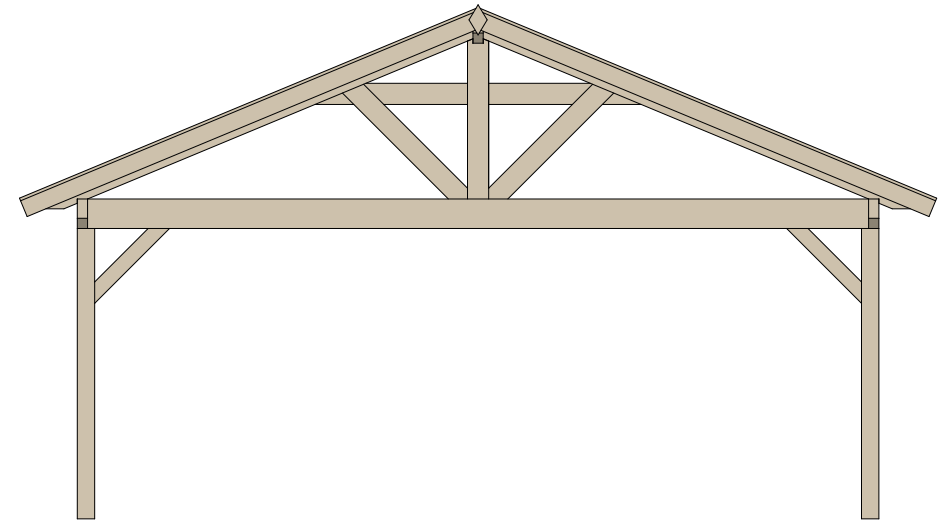
Front Elevation

1:50



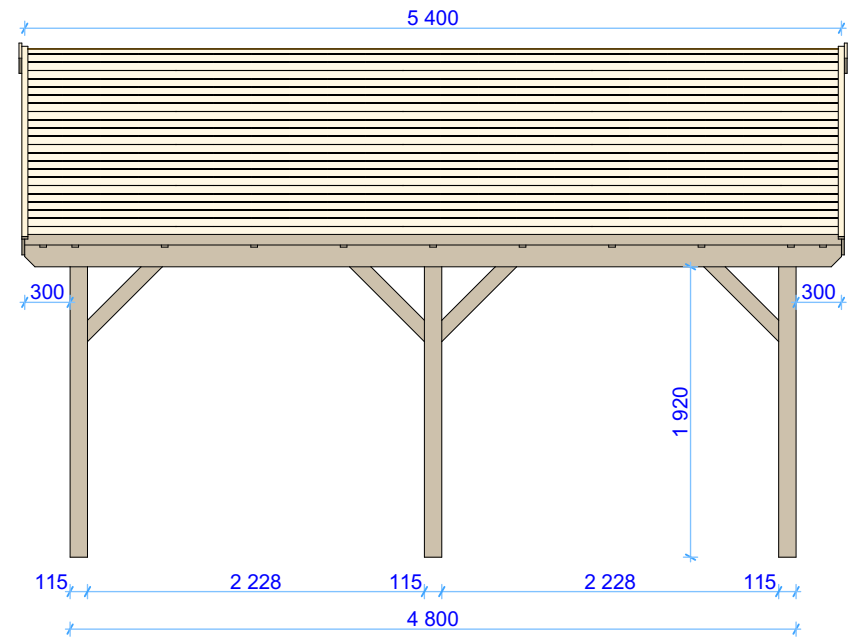
Back Elevation

1:50



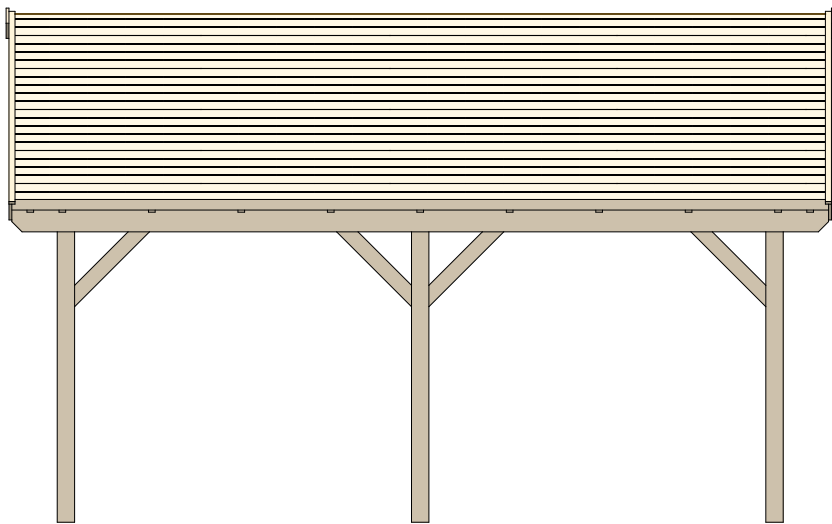
Right Elevation

1:50



Left Elevation

1:50



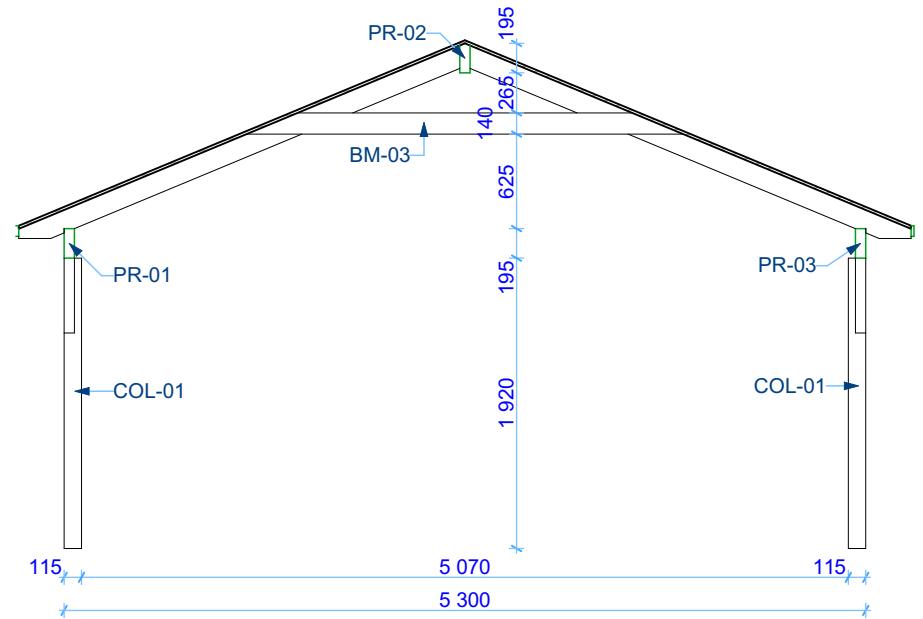
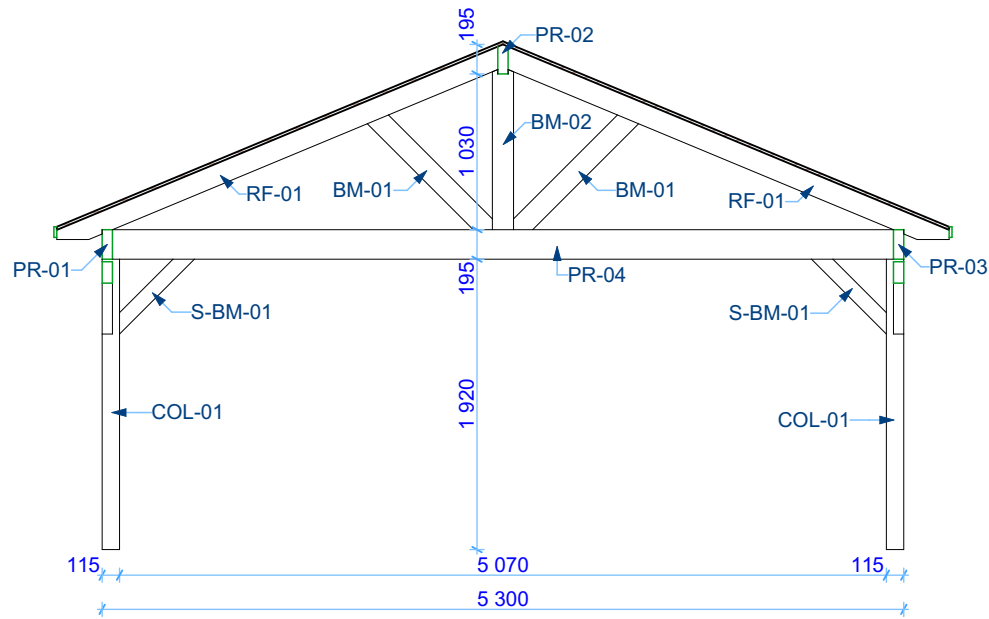
Thickness	Project name	Project ID	Date	Page
	Carport-Pablo	S29356	2025-10	5

S-01

1:50

S-02

1:50



Thickness	Project name	Project ID	Date	Page
	Carport-Pablo	S29356	2025-10	6